

## Superior Strength Meets Unsurpassed Versatility

TITAN™ possesses all the characteristics you are looking for in sliding patio door hardware – superior strength, smooth operation, and unsurpassed versatility. Features include, two opposing hooks to prevent the door panel from being lifted off the track and out of the frame. A locking/unlocking detent feature indicates positive lock or unlock status, and a mishandling device prevents damage to the locking hooks when closing the door. Choose from two great handle designs – the **Malibu** and the **Manhattan**.

### Features and Benefits

- Inside mounting screws are side mounted for a cleaner appearance
- Ergonomic handle design for maximum comfort
- Available in keyed or non-keyed versions
- The non-locking configuration is available with an “anti-drill” feature on the exterior pull for maximum security. (Prevents the ability to drill through the exterior pull.)
- New exterior locking escutcheon available with both handle designs
- Meets AAMA specifications
- Available in three standard colors, seven architectural finishes, and custom colors upon request
- Custom handles and custom logos on escutcheon available upon request

When ordering, choose from the following standard colors and add the appropriate two-digit suffix to the product numbers listed on the reverse side of this sheet.

### Standard Colors

Suffix	Color
-00	G2 White
-03	Blue White
-26	Almond

### Architectural Finishes

Suffix	Finish	Suffix	Finish
-31	Brass	-36	Oil Rubbed Bronze
-33	Antique Brass	-39	Pewter
-34	Chrome	-46	Brushed Nickel
-35	Brushed Chrome		



Malibu



Manhattan



Global Leadership. Local Flexibility. Real Advantages.

## Lock Assemblies

DR05-7601 2 Point lock  
 DR05-7610 4 Point lock  
 DR05-7615 6 Point lock\*

\*Contact customer service for availability.

## Malibu Handles

(-xx represents two digit color suffix as listed on front page)

DR05-7510-xx Interior Malibu Handle  
 DR05-7540-xx Exterior Malibu Handle Locking  
 DR05-7545-xx Exterior Malibu Handle Non-Locking

## Manhattan Handles

(-xx represents two digit color suffix as listed on front page)

DR05-7511-xx Interior Manhattan Handle  
 DR05-7541-xx Exterior Manhattan Handle Locking  
 DR05-7546-xx Exterior Manhattan Handle Non-Locking

## Handle Accessories

DR05-1522-xx Latch Lever  
 DR05-1530-xx Mounting Base

## Pulls

DR05-1540-xx Exterior Pull Non-Locking  
 DR05-1541-xx Exterior Pull Locking  
 DR05-7520-xx Exterior Pull Non-Locking Security Plate

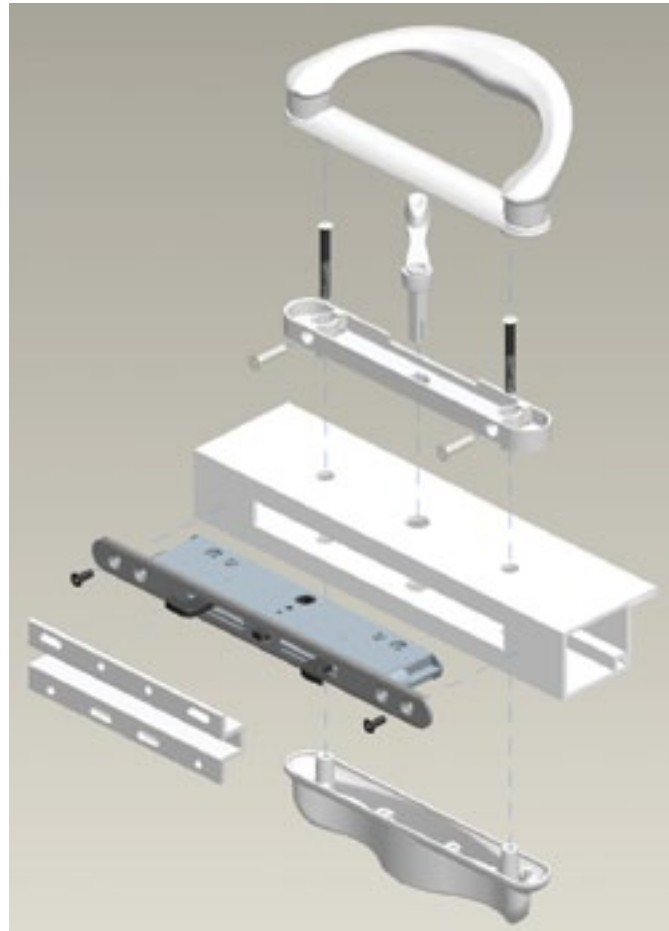
## Cylinders

DR05-5000 Chrome Face Keyed Alike  
 DR05-5001 Chrome Face Keyed Random  
 DR05-5002 Brass Face Keyed Alike  
 DR05-5003 Brass Face Keyed Random

## Strikers

We offer a variety of die cast and extruded strikers. Our Applications Engineering Department is happy to determine the options that are best suited to your profile.

\* The above information is for standard products. Contact your local sales manager for custom handles, colors, and logos.



Prepackaged kits are available upon request.

### COMING SOON! Single Point Program

#### Lock Assembly

DR05-7620 1 Point Lock

#### Monterey Handle

DR05-7517-XX Monterey One Piece Handle

## Roto Frank of America, Inc.

14 Inspiration Lane  
 Chester, CT 06412  
 Phone: (800) 243-0893  
 (860) 526-4996  
 Fax: (860) 526-8390  
 rotohardware.com



Global Leadership. Local Flexibility. Real Advantages.